

4

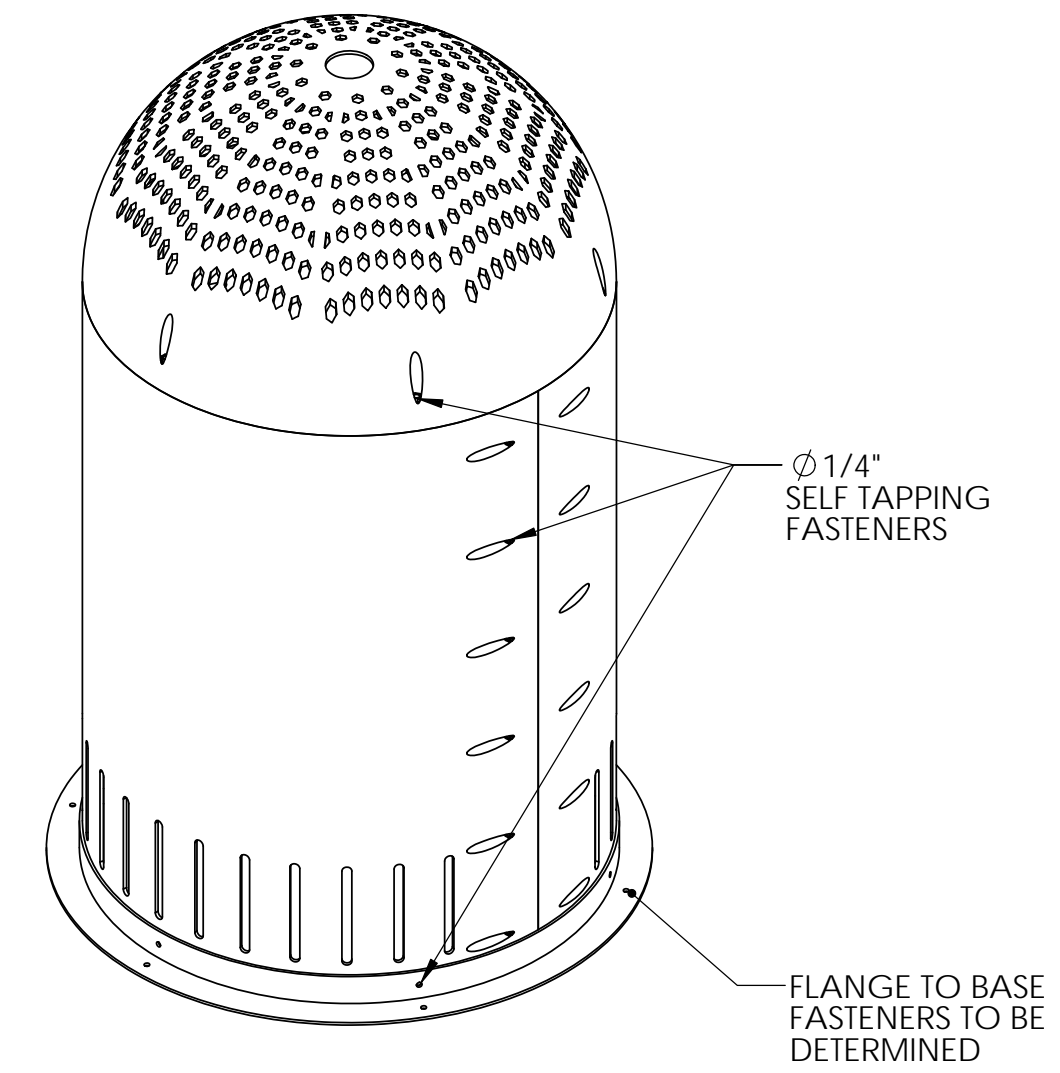
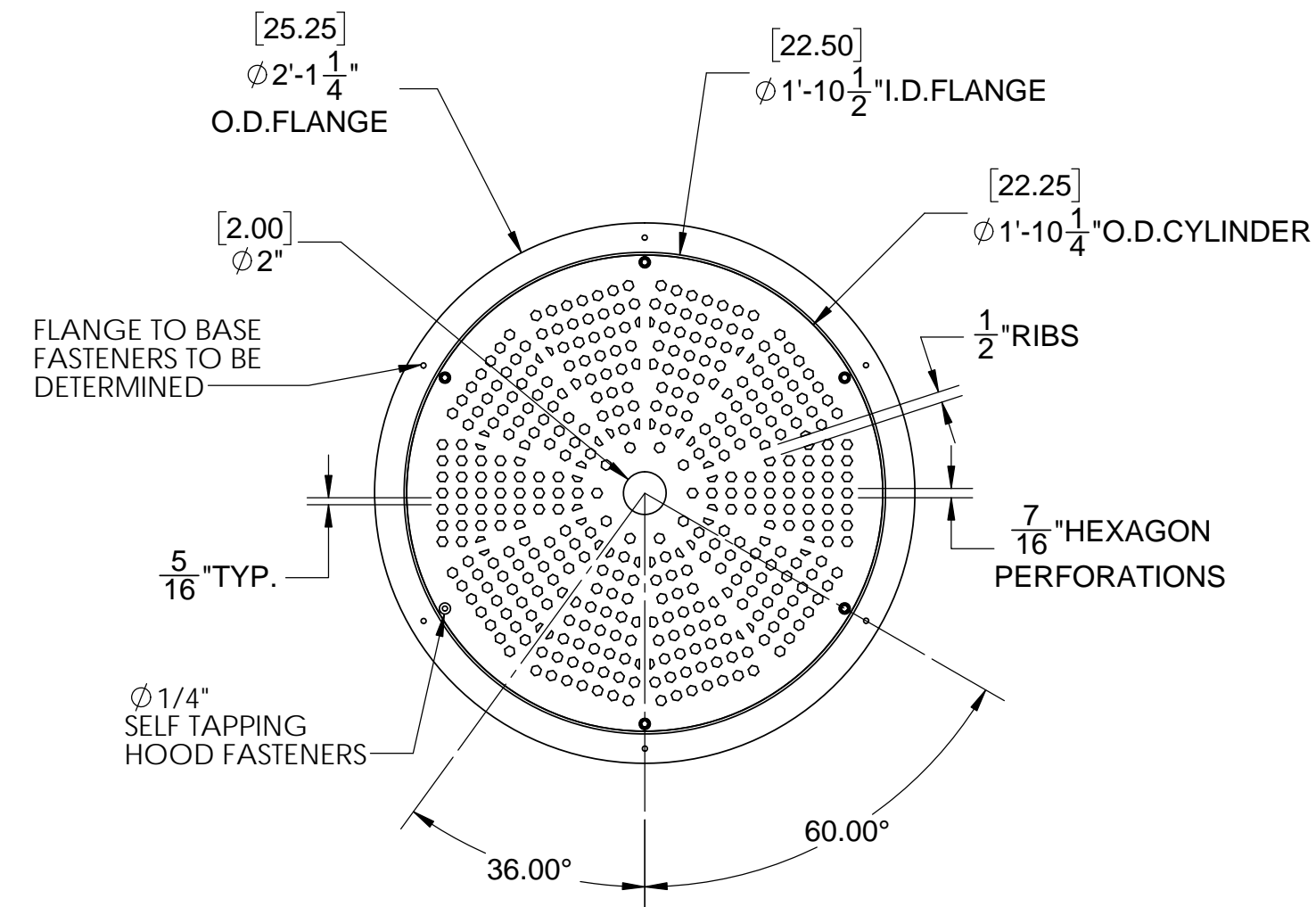
3

2

1

D

D

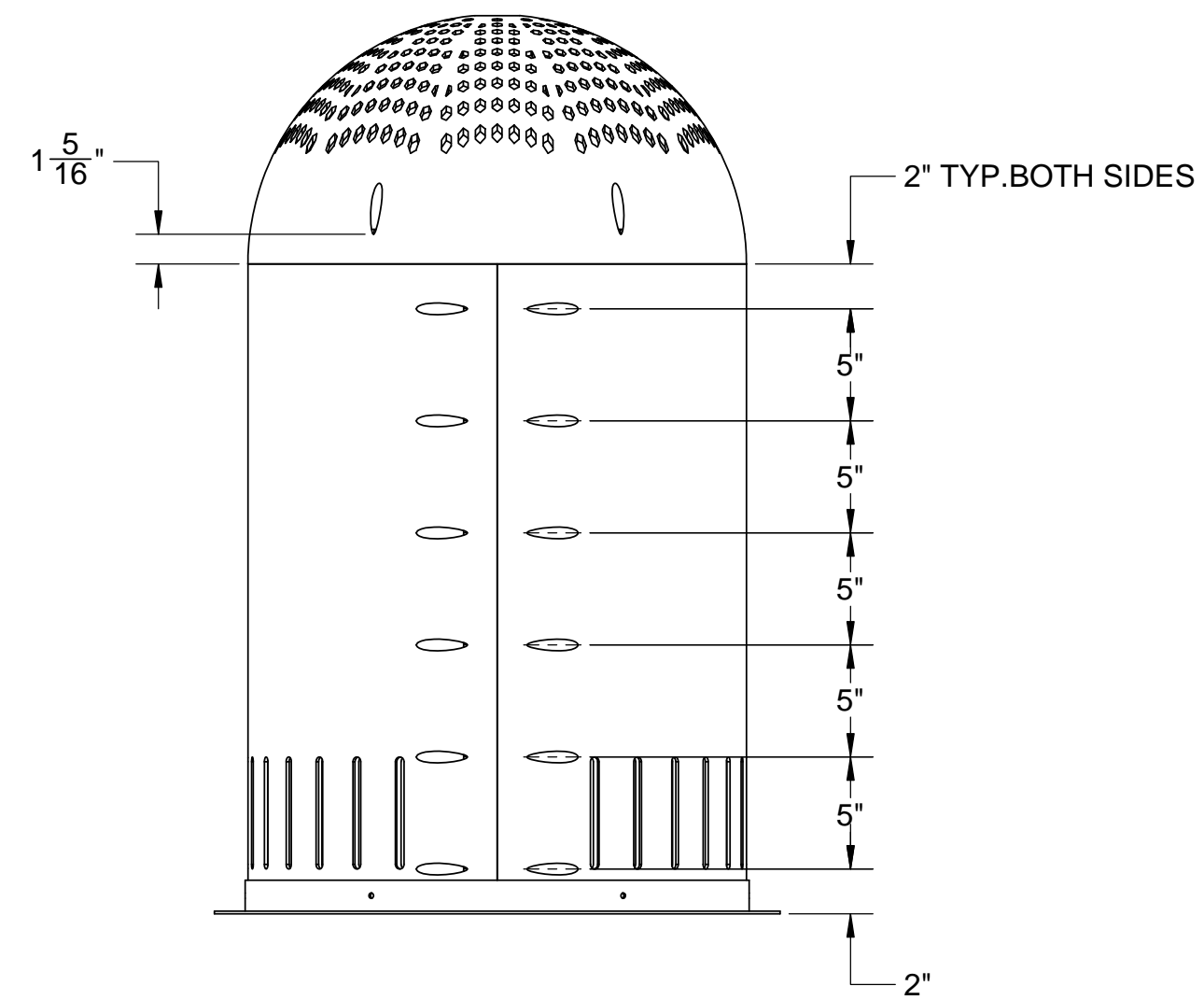
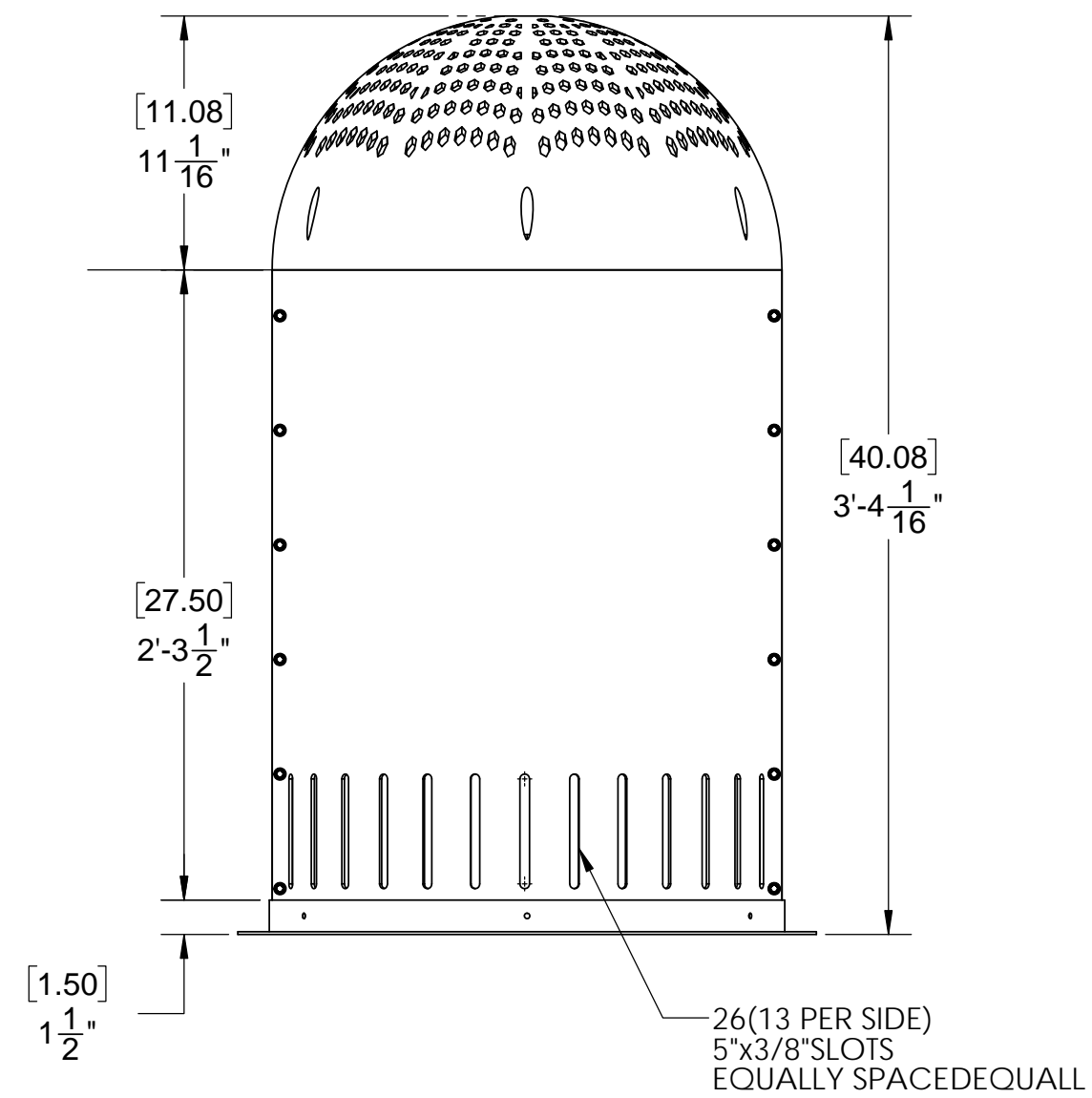


C

C

B

B



A

A

PROPRIETARY AND CONFIDENTIAL
 THE INFORMATION CONTAINED IN THIS DRAWING IS THE SOLE PROPERTY OF <INSERT COMPANY NAME HERE>. ANY REPRODUCTION IN PART OR AS A WHOLE WITHOUT THE WRITTEN PERMISSION OF <INSERT COMPANY NAME HERE> IS PROHIBITED.

UNLESS OTHERWISE SPECIFIED:
 DIMENSIONS ARE IN INCHES
 TOLERANCES:
 FRACTIONAL \pm
 ANGULAR: MACH \pm BEND \pm
 TWO PLACE DECIMAL \pm
 THREE PLACE DECIMAL \pm



3D PRINTING ♦ 3D PROTOTYPING ♦ CAD DESIGN

TITLE:
 COVER

PART #:	DRAWN BY: EB	DATE: 3-16-18
SCALE: 1:1	DO NOT SCALE DRAWING	SHEET 1 OF 1

4

3

2

1